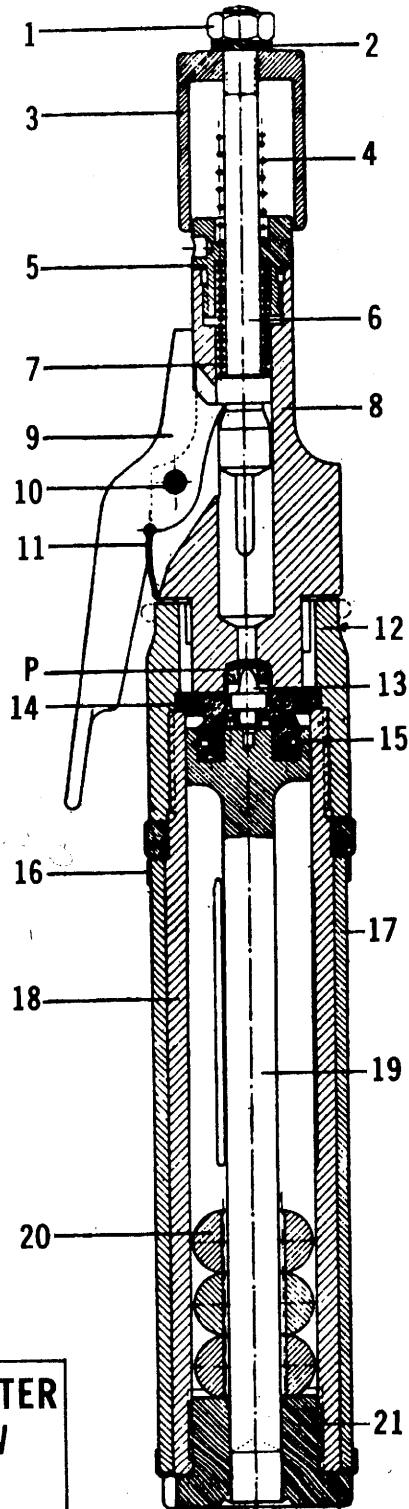


THIS INSTRUMENT CONSISTS OF TWO MAIN PARTS:

- a) THE BODY WITH BOLT AND CARTRIDGE PLATE
- b) THE HEAD WITH DETONATOR STRIKING PIN.

LIST OF ALL THE INDIVIDUAL PARTS:

- 1 — STRIKING PIN LOCK-NUT
- 2 — FAN WASHER
- 3 — PROTECTING CAP FOR DETONATOR STRIKING PIN
- 4 — RELIEVING SPRING FOR DETONATOR STRIKING PIN
- 5 — GUIDE FOR DETONATOR STRIKING PIN
- 6 — DETONATOR STRIKING PIN
- 7 — COCK-SPRING FOR DETONATOR STRIKING PIN
- 8 — HEAD LOCK CHAMBER
- 9 — TRIGGER
- 10 — TRIGGER PIN 10a — RING SPRING FOR TRIGGER GUIDE PIN
- 11 — TRIGGER SPRING
- 12 — BAYONET HOLDER
- 13 — ANVIL IN CARTRIDGE PLATE
- 14 — CARTRIDGE PLATE COMPLETE
- 15 — SNAP SPRING
- 16 — HOLDING RING FOR RUBBER COVER
- 17 — RUBBER COVER
- 18 — GUIDE PIPE
- 19 — BOLT
- 20 — RUBBER STOPPERS
- 21 — BOLT OUTLET
- P — CARTRIDGE



ALWAYS CLEAN YOUR INSTRUMENT AFTER EACH DAY'S USE, EVEN IF ONLY A FEW CARTRIDGES HAVE BEEN FIRED.