

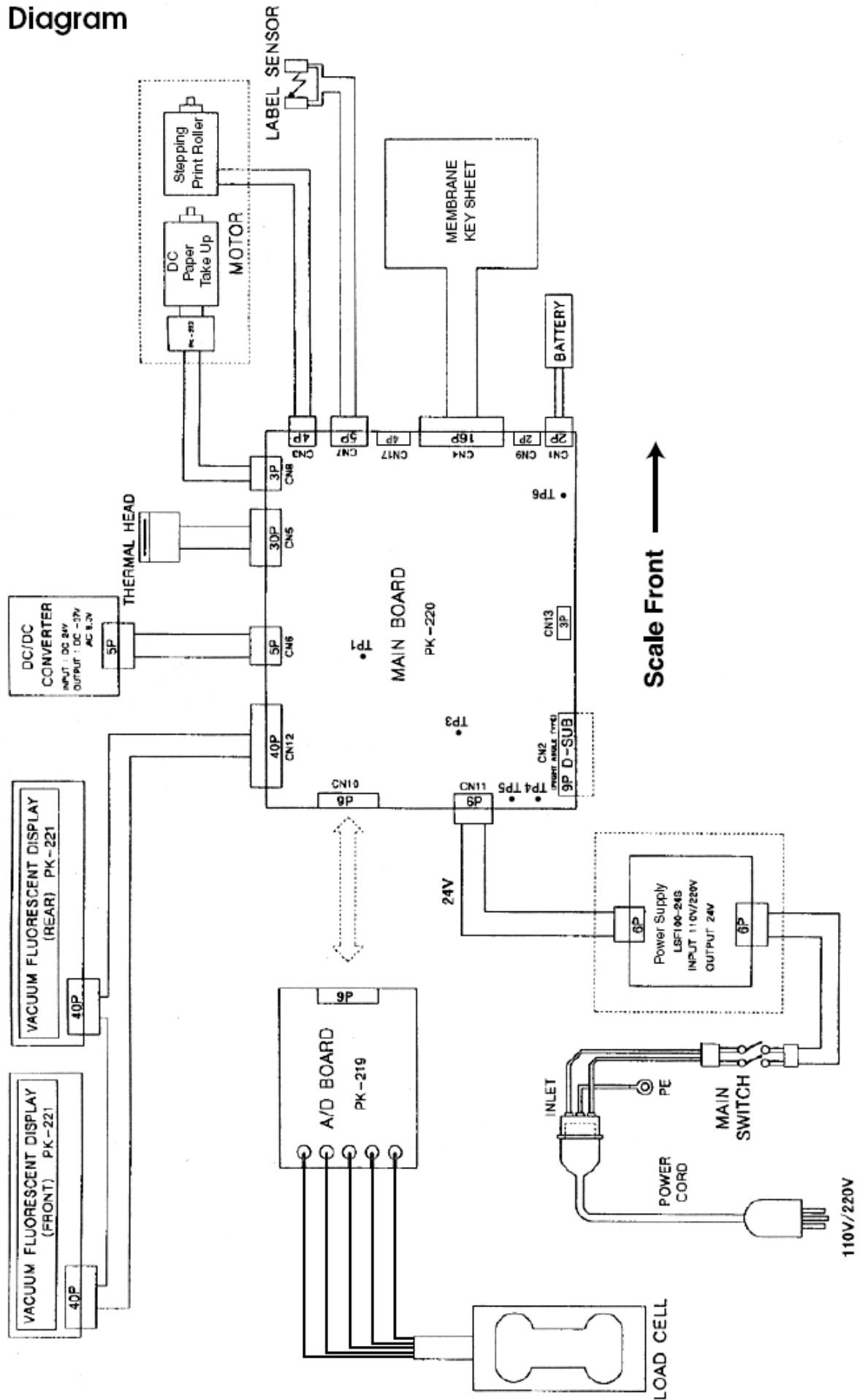
ASTRA USA 30lb Service Parts List (89-2803-00)

No.	Parts Name	Remarks	Parts Number	Quantity
1	PLATTER	66343	89-3007-05	1
2	SHEET:DISPLAY:PANEL	66344	89-2843-18	2
3	SEALING:PB:CIRCLE	-	-	-
4	HOUSING:SEALING:CIRCLE	-	-	-
5	PUSH:RIVET:	42734	00-4761-06	2
6	NAME PLATE:SPEC:	66345	89-2949-00	1
7	CASE:UPPER:	66346	89-2689-01	1
8	SHEET:KEY BOARD:MEMBRANE	66347	89-2852-02	1
9	SHEET:KEY BOARD:SPACER	66348	89-2811-00	1
10	SHEET:KEY BOARD:OPERATION	66349	89-2813-07	1
11	SHEET:KEY BOARD:COVER CLEAR	66350	89-2846-19	1
12	STICKER:LEVEL:	66351	89-2802-15	1
13	FRAME:PRINTER:	66352	89-2701-12	1
14	ACCESSORY:SUPPORT:POST	66353	89-2714-01	4
15	LABEL SENSOR ASS'Y	66354	89-2241-16	1
16	DC/DC CONVERTER	66355	89-2796-07	1
17	HARNESS:S2:DC/DC	66356	89-2782-14	1
18	STEPPING:MOTOR:PRINT ROLLER	66357	89-2735-00	1
19	BRACKET:MOTOR:	66358	89-2703-29	1
20	GEAR:SPUR:DUAL	66359	89-2777-15	1
21	GEAR:SPUR:SINGLE	66360	89-2705-17	1
22	MOTOR:GEARED:MICRO ASS'Y:TAKE UP	66361	89-2997-09	1
23	BRACKET:PUSH:	66362	89-2713-17	1
24	FRAME:HEAD:	66363	89-2707-23	1
25	STEP BOLT:PAN HEAD:	44145	36-0942-00	1
26	BRACKET:LOCK:	66364	89-2709-11	1
27	BRACKET:HEAD:	66365	89-2710-16	1
28	COMPRESSION SPRING	45203	00-6375-09	1
29	THERMAL HEAD	45237	36-2636-16	1
30	HARNESS:S2:THERMAL HEAD	66366	89-2534-08	1
31	SHAFT LOCK	45222	49-6373-12	1
32	TENSION SPRING	45206	00-6377-06	2
33	SHAFT	45221	00-6168-04	1
34	SCREW:BAR:FF	45188	36-2507-00	1
35	GUIDE:LABEL:	45201	20-6991-11	1
36	LABEL GUIDE BAR	45223	00-6173-03	1
37	GUIDE:LABEL:	66367	89-2861-06	1
38	BUSH:RIGHT:	66368	89-2776-21	1
39	ROLLER:PRINTER:	66369	89-2704-13	1
40	BUSH:LEFT:	66370	89-2706-01	1
41	TABLE:LABEL:	66371	89-2702-25	1
42	BOBBIN	66372	89-2711-10	1

43	LEVER:BOBBIN:	66373	89-2712-22	1
44	HOLDER:LABEL:	66374	89-2774-14	1
45	SET:SCREW:	66375	89-2860-02	1
46	LEVER:GUIDE:LABEL	66376	89-2858-04	1
47	HOLDER:LABEL:	66377	89-2778-19	1
48	HOLDER:GUIDE:LABEL	66378	89-2830-01	1
49	BRACKET:LOAD CELL:	66379	89-2695-22	1
50	LOAD CELL:C2G1-25K	44414	89-0643-03	1
51	PLATE SUPPORT	44410	89-1884-17	1
52	RUBBER:PLATE SUPPORT:	44406	89-1631-11	3
53	COVER:SIDE:	66380	89-2690-06	1
54	COVER:FRONT:	66381	89-2691-00	1
55	STICKER:LABEL ROLL LOADING:	66382	89-2854-19	1
56	FOOT:LEVEL:	44423	23-3052-05	4
57	HINGE	66383	89-2694-10	2
58	PWB PK-221(DISPLAY)	66384	89-2793-06	1
59	BRACKET:DISPLAY:FRONT	66385	89-2697-11	2
60	ACCESSORY:SUPPORT:POST	66386	89-2708-09	4
61	BRACKET:DISPLAY:REAR	66387	89-2698-14	2
62	HARNESS:S3:DISPLAY	66389	89-2784-02	1
63	SCREW:SEAL:HEXA	45128	00-6609-00	2
64	BATTERY	66388	89-2827-09	1
65	ACCESSORY:CLAMP:	66390	89-2678-01	1
66	SCREW:SEAL:	44474	89-2025-09	1
67	CASE:CONNECTOR:	66391	89-2693-16	1
68	BAR:HEX:MF	66392	89-2699-09	2
69	BAR:HEX:M	66393	89-2700-00	2
70	SCREW:SEAL:	66394	89-2832-08	1
71	BASE	66395	89-2688-35	1
72	POWER SUPPLY 110V	45132	89-2760-03	1
73	HARNESS:C3:POWER	66396	89-2786-00	1
74	HARNESS:S2:POWER(:C3:POWER)	47073	47-3677-19	-
75	HARNESS:C4:INLET	66397	89-2785-06	1
76	SWITCH:POWER:	66398	89-0349-08	1
77	POWER CORD UL	15438	89-2504-06	1
78	PWB PK-219(A/D BOARD)	66399	89-2637-08	1
79	PWB PK-220A MAIN BOARD	66400	89-2648-09	1
80	LEVEL UNIT	44425	89-0914-02	1
81	STICKER:CAUTION:	-	89-2747-04	1
82	ACCESSORY:SUPPORT:	66419	89-2859-08	4
83	ACCESSORY:SUPPORT:MAIN	66420	89-2677-07	4
84	PLATE A	-	89-2973-28	1
85	RUBBER:PLATE SUPPORT:	66402	89-3006-01	1
86	BRACKET:SEAL:	-	-	-
87	FERRITE CORE	66403	-	-
88	UL STICKER	-	89-2798-04	1
89	C-TICK STICKER	-	-	-

11.2 Electrical Diagram

11.2.1 Block Diagram



Scale Front →

110V/220V

