

75

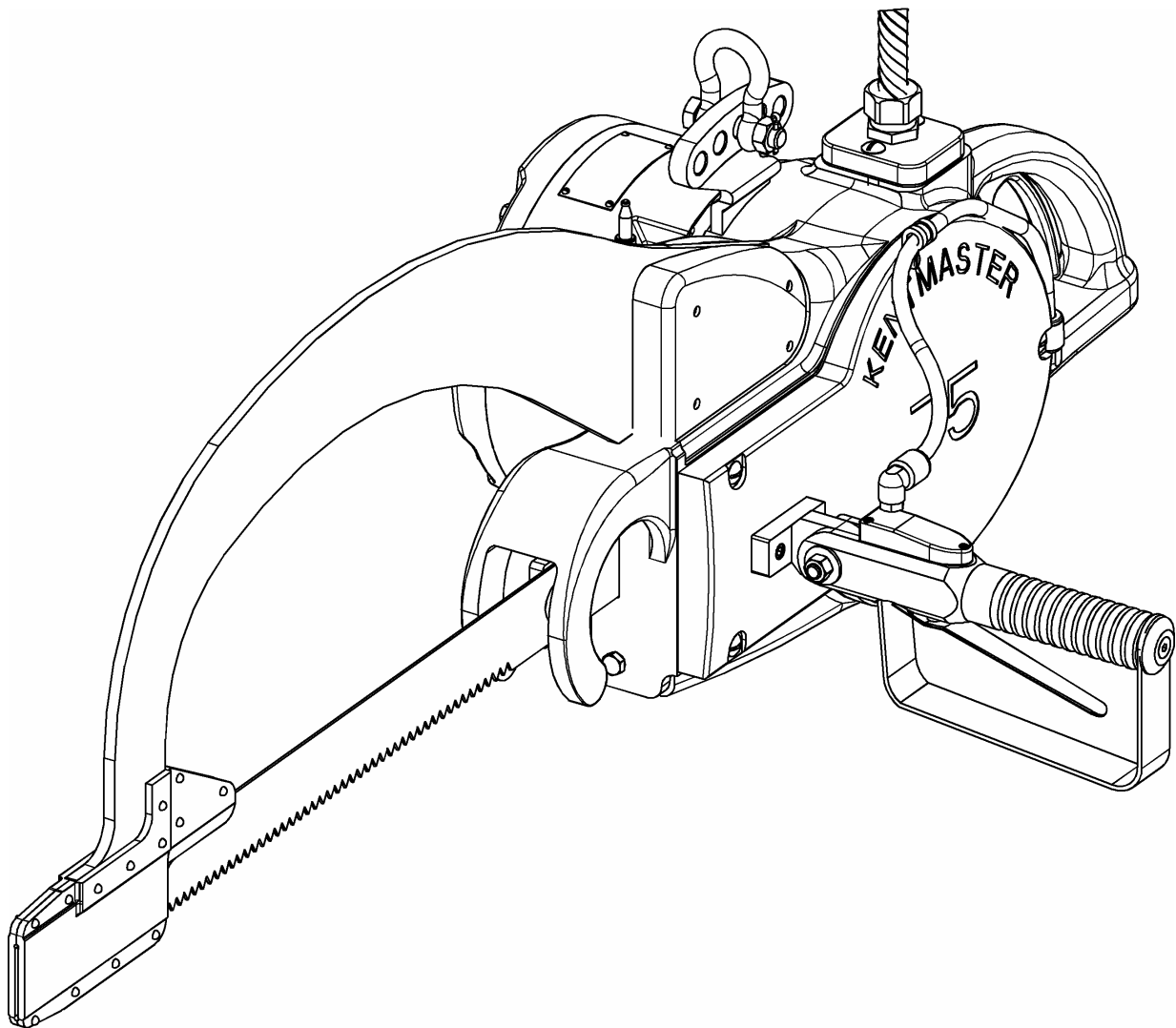
INCLUDING: OPERATION, INSTRUCTION, INSTALLATION, MAINTENANCE AND PARTSBOOK

**IMPORTANT: READ THIS MANUAL CAREFULLY BEFORE INSTALLING, OPERATING OR
SERVICING THIS TOOL.**

BEEF SPLITTING SAW

TOOL DATA

MODEL: KENTMASTER 75
ASSEMBLY No. 1070000
TYPE: ELECTRICAL OPERATED
NET WEIGHT: 136 LB (62 KG)
MOTOR HORSEPOWER: 2HP / 50Hz, 60Hz



**WARNING**

= Hazards or unsafe practices which could result in severe personal injury, death or substantial property damage.

**CAUTION**

= Hazards or unsafe practices which could result in minor personal injury, product or property damage.

**NOTICE**

= Important installation, operation or maintenance information.

OPERATING AND SAFETY INSTRUCTIONS

**WARNING**

DO NOT OPERATE THIS TOOL UNTIL YOU HAVE READ AND UNDERSTOOD THE SAFETY INSTRUCTIONS AND OPERATING MANUALS.

**WARNING**

DO NOT OPERATE THIS TOOL UNTIL YOU HAVE RECEIVED TRAINING IN THE HANDLING, OPERATION AND USE OF THIS TOOL.

**WARNING**

STOP USING A MALFUNCTIONING OR DEFECTIVE TOOL IMMEDIATELY. REPORT ANY PROBLEMS OR DEFECTS TO YOUR SUPERVISOR FOR REMOVAL OF THE TOOL FROM SERVICE.

**WARNING**

DO NOT ATTEMPT TO REPAIR THE TOOL YOURSELF.

**WARNING**

DO NOT ALLOW UNAUTHORIZED PERSONS TO USE TOOL.

**WARNING**

REMOVE AND DISCONNECT POWER FROM THE TOOL WHEN TOOL IS LEFT UNATTENDED OR IS NOT IN USE.

**WARNING**

NEVER TIE DOWN, BYPASS, ALTER OR MODIFY THE ACTIVATING SWITCHES OR TRIGGERS OF THIS TOOL.

**WARNING**

NEVER MAKE ALTERATIONS OR MODIFICATIONS TO THIS TOOL.

**WARNING**

BE CONSTANTLY AWARE AND ALERT FOR UNSAFE CONDITIONS AND REPORT THEM IMMEDIATELY TO YOUR SUPERVISOR.

**WARNING**

NEVER PLACE YOUR HAND OR ANY PART OF YOUR BODY IN THE CUTTING PATH OF THE TOOL.

**WARNING**

NEVER ALLOW ANYONE ELSE TO PLACE THEIR HANDS OR ANY PART OF THEIR BODY IN THE CUTTING PATH OF THE TOOL.

**WARNING**

DO NOT ACTIVATE CONTROL SWITCHES OR TRIGGERS OF THIS TOOL UNLESS YOU INTEND TO TEST OR OPERATE THIS TOOL.

**WARNING**

DO NOT USE THIS TOOL FOR ANY PURPOSE OTHER THAN IT'S INTENDED PURPOSE.

**CAUTION**

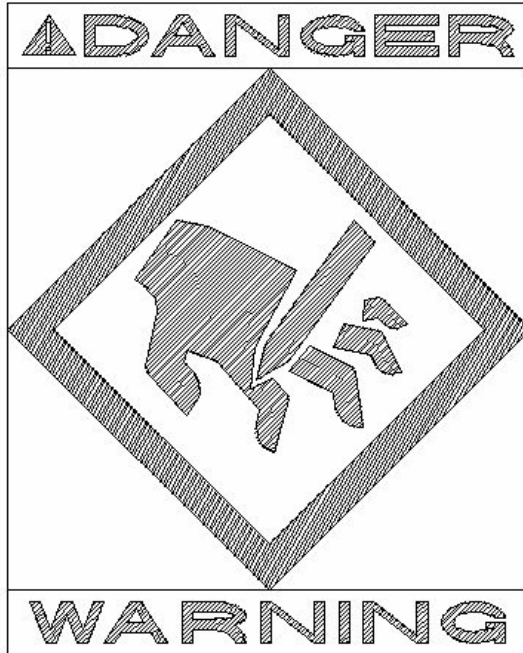
WHEN OPERATING THIS TOOL WEAR THE PROTECTIVE GEAR AND SAFETY EQUIPMENT SUPPLIED TO YOU.

**WARNING**

THE NOISE EMISSION (SOUND PRESSURE LEVEL) AT THE WORKSTATION MAY EXCEED 80 dB (A). EAR AND SOUND PROTECTION GEAR IS REQUIRED.

SERVICE

1. KEEP GOOD RECORDS OF ALL SERVICE ACTIVITY AND INCLUDE TOOL IN PREVENTIVE MAINTENANCE PROGRAM.
2. USE ONLY GENUINE KENTMASTER REPLACEMENT PARTS TO ASSURE PROPER PERFORMANCE OF TOOL.
3. CONTACT THE KENTMASTER SUPPLIER NEAREST YOU FOR PARTS AND CUSTOMER SERVICE INFORMATION.



PARTS BOOK

"75" MAIN ASSEMBLY

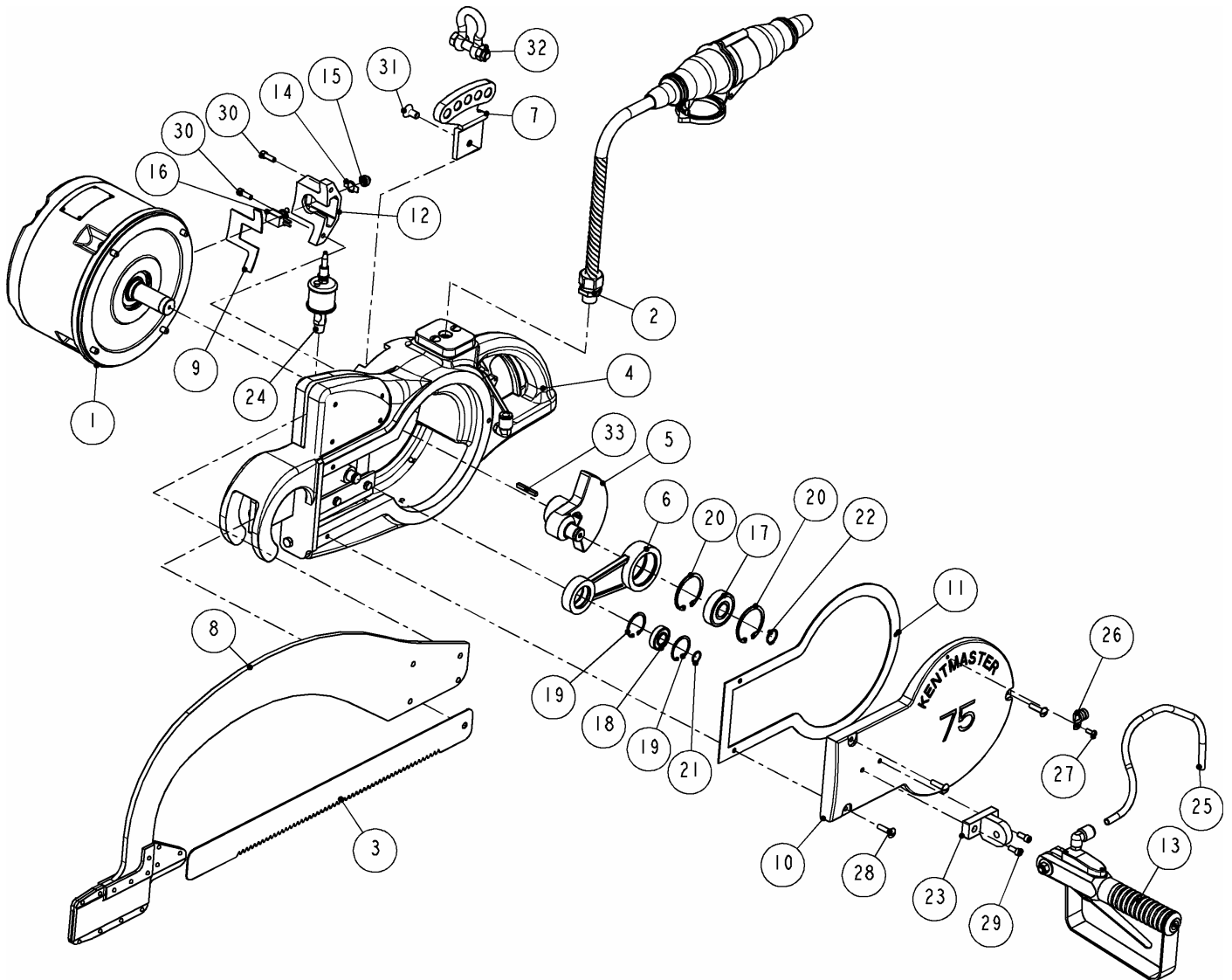


Figure 1 MODEL "75"

1070000: 75 - BEEF SPLITTING SAW			
ITEM	PART #	DESCRIPTION	QTY
1	OPTIONS	MOTOR ASSEMBLY/ SEE OPTION CHART	1
2	1002422	POWER SUPPLY, NON 42V, 3 PHASE	1
	1002423	POWER SUPPLY, 115V, SINGLE PHASE	1
	1002424	POWER SUPPLY, 230V, SINGLE PHASE	1
	1002430	POWER SUPPLY, 42V, 3 PHASE	1
3	4100100	BLADE, 3 TPI (STANDARD)	1
	4100110	BLADE,"SKIP TOOTH", 2 TPI	1
4	1070011	FRAME ASSEMBLY	1
5	1070030	ECCENTRIC	1
6	1070040	CONNECTING ROD	1
7	1070200	HANGER	1
8	1070750	YOKE	1
9	1070930	GASKET	1
10	1070111	COVER	1
11	1071310	GASKET	1
12	1071480	WIRE BOX	1
13	1080024	ELECTRIC HANDLE	1
14	2000130	ON-OFF PLATE	1
15	2000140	BOOT, TOGGLE SWITCH	1
16	2000150	SWITCH	1
17	3304040	BEARING	1
18	3601200	BEARING	1
19	5001370	RETAINING RING	2
20	5002060	RETAINING RING	2
21	5100620	RETAINING RING	1
22	5100780	RETAINING RING	1
23	6609650	HANDLE BRACKET	1
24	7236020	LUBE DEVICE (OILER)	1
25	7300750	TUBE	1
26	7801000	CUSHIONED LOOP STRAP	1
27	8090040	SCREW	1
28	8111080	SCREW	3
29	8211050	SCREW	2
30	8211060	SCREW	2
31	8245060	SCREW	1
32	8462080	ANCHOR SHACKLE	1
33	8603110	SQUARE KEY	1

Figure 2 BOM FOR MODEL "75"

MOTOR ASSEMBLY

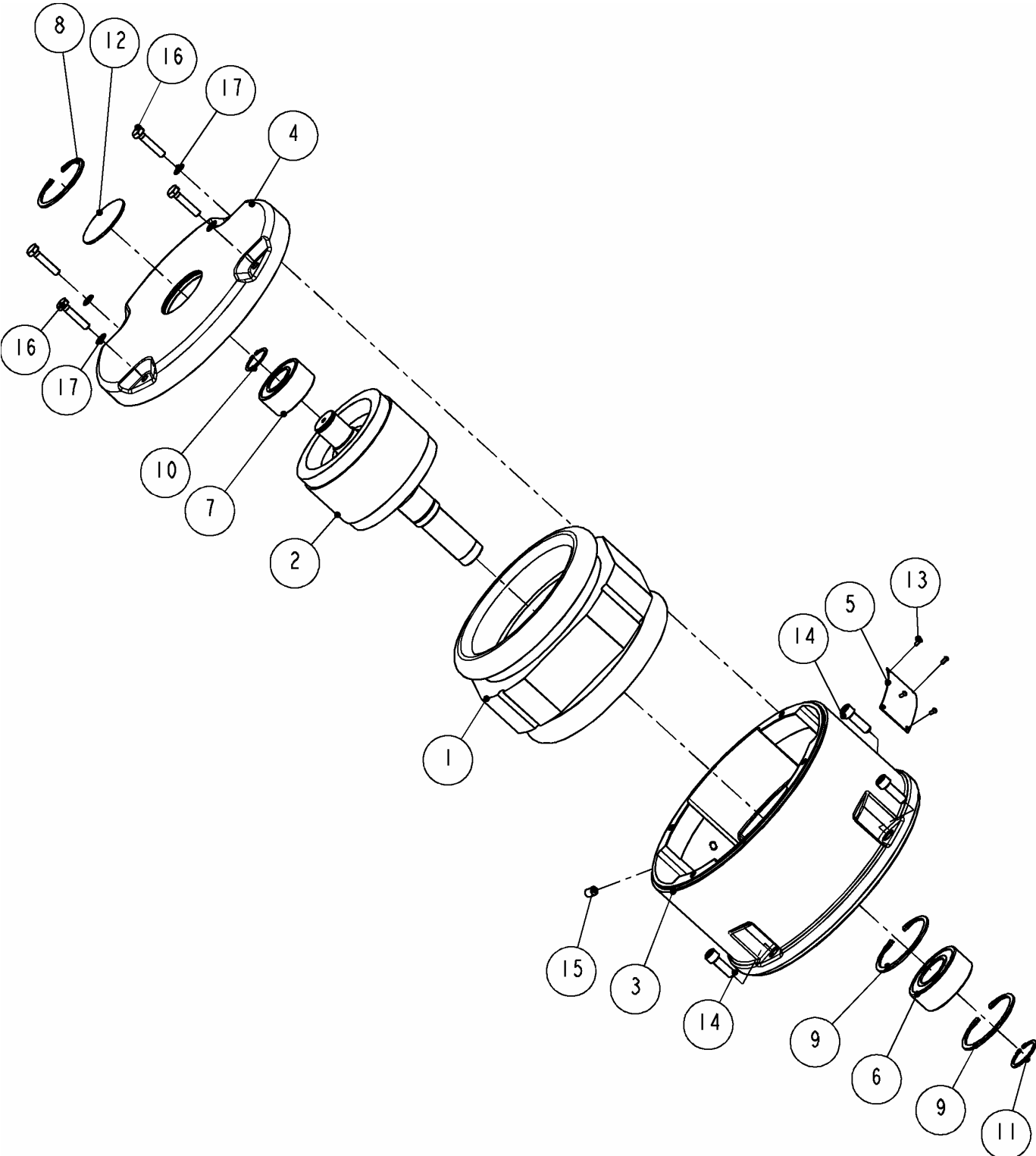
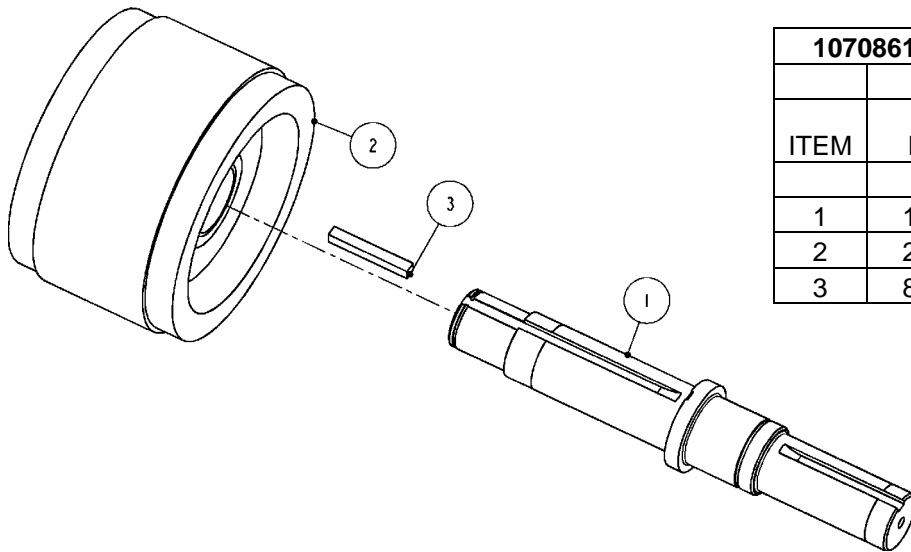


Figure 3 MOTOR ASSEMBLY

MOTOR ASSEMBLY			
ITEM	PART #	DESCRIPTION	QTY
1	OPTIONS	STATOR / SEE CHART 1 BELOW	1
2	1070861	ROTOR - SHAFT ASSEMBLY	1
3	1071140	MOTOR HOUSING	1
4	1501800	COVER, MOTOR HOUSING	1
5	2000040	NAME PLATE	1
6	3522060	BEARING	1
7	3524050	BEARING	1
8	5002120	RETAINING RING	1
9	5002440	RETAINING RING	2
10	5100980	RETAINING RING	1
11	5101180	RETAINING RING	1
12	7902170	EXPANSION PLUG	1
13	8023020	SCREW	4
14	8213080	SCREW	4
15	8313040	SET SCREW	1
16	8411100	SCREW	4
17	8507100	WASHER	4

MOTOR ASS'Y 220V, 2HP, 1PH, 50HZ, 6.1AMPS	1071540	2311020
MOTOR ASS'Y 230V, 2HP, 1PH, 50HZ, 6.1AMPS	1071590-230-150	2311050
MOTOR ASS'Y 115V, 2HP, 1PH, 50HZ, 12.2AMPS	1071590-115-150	2311050
MOTOR ASS'Y 230V, 2HP, 1PH, 60HZ, 6.2AMPS	1071500-230-160	2310010
MOTOR ASS'Y 115V, 2HP, 1PH, 60HZ, 12.4AMPS	1071500-115-160	2310010
MOTOR ASS'Y 380V, 2HP, 3PH, 50HZ, 4.3AMPS	1071570-380-350	2311540
MOTOR ASS'Y 220V, 2HP, 3PH, 50HZ, 7.4AMPS	1071570-220-350	2311540
MOTOR ASS'Y 230V, 2HP, 3PH, 50HZ, 6.4AMPS	1071560-230-350	2311500
MOTOR ASS'Y 115V, 2HP, 3PH, 50HZ, 12.8AMPS	1071560-115-350	2311500
MOTOR ASS'Y 42V, 2HP, 3PH, 50HZ, 34.0AMPS	1071550	2311480
MOTOR ASS'Y 550V, 2HP, 3PH, 60HZ, 2.8AMPS	1071530	2310460
MOTOR ASS'Y 460V, 2HP, 3PH, 60HZ, 3.5AMPS	1071520-460-360	2310440
MOTOR ASS'Y 230V, 2HP, 3PH, 60HZ, 7.0AMPS	1071520-230-360	2310440
MOTOR ASS'Y 416V, 2HP, 3PH, 60HZ, 3.9AMPS	1071510-416-360	2310360
MOTOR ASS'Y 208V, 2HP, 3PH, 60HZ, 7.8AMPS	1071510-208-360	2310360
MOTOR OPTION DESCRIPTION	MOTOR ASSEMBLY	STATOR (ITEM 1)
CHART 1: "75" MOTOR OPTIONS		

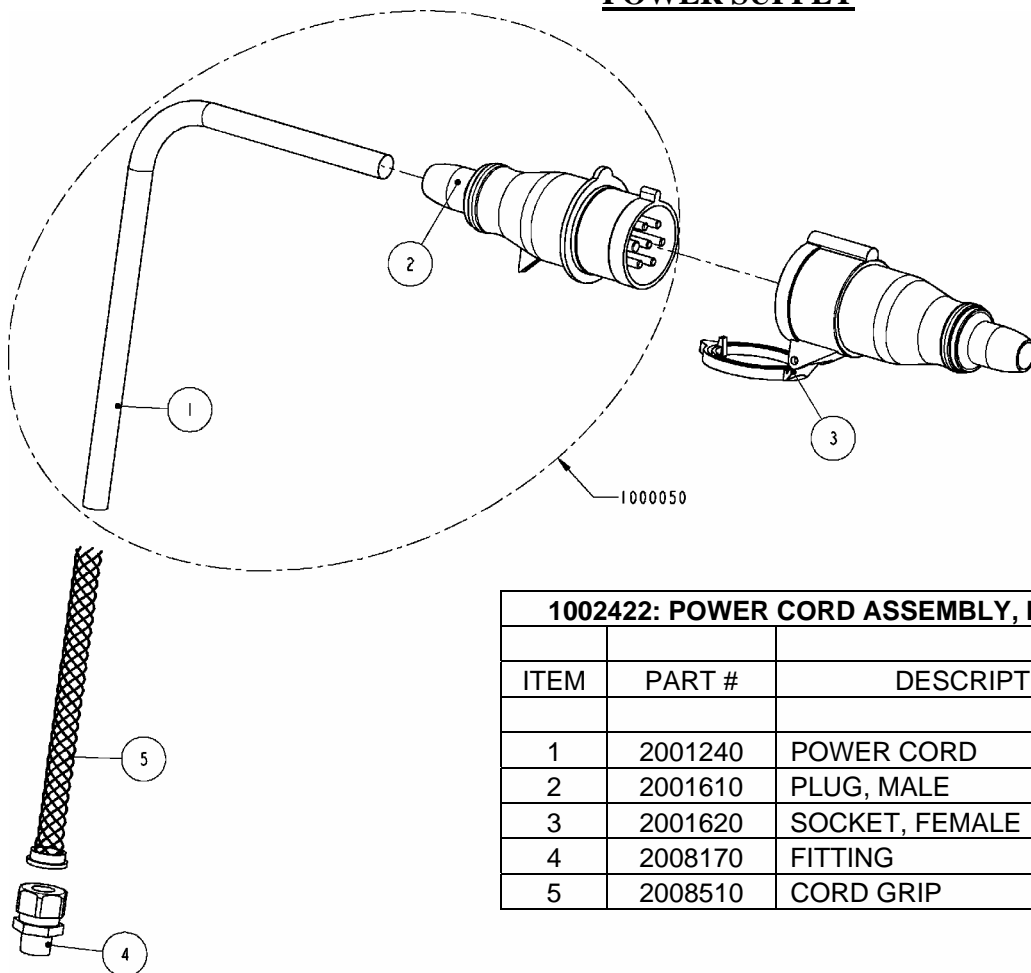
Figure 4 BOM FOR MOTOR ASSEMBLY



1070861: ROTOR - SHAFT ASSEMBLY			
ITEM	PART #	DESCRIPTION	QTY
1	1070860	SHAFT	1
2	2315010	ROTOR	1
3	8603110	SQUARE KEY	1

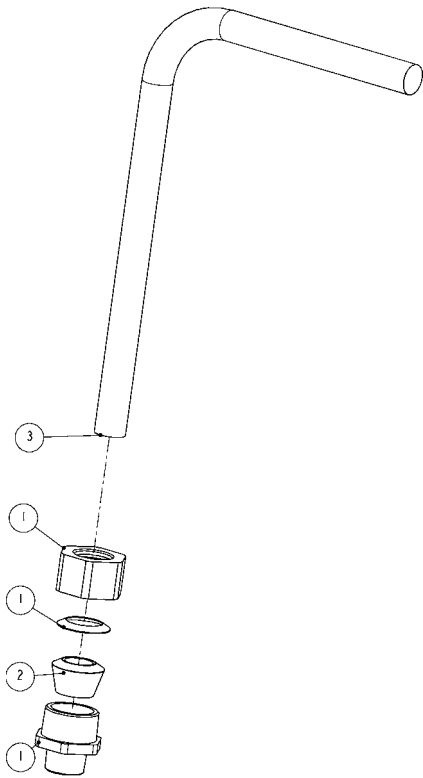
Figure 5 1070861: ROTOR -SHAFT ASSEMBLY

POWER SUPPLY



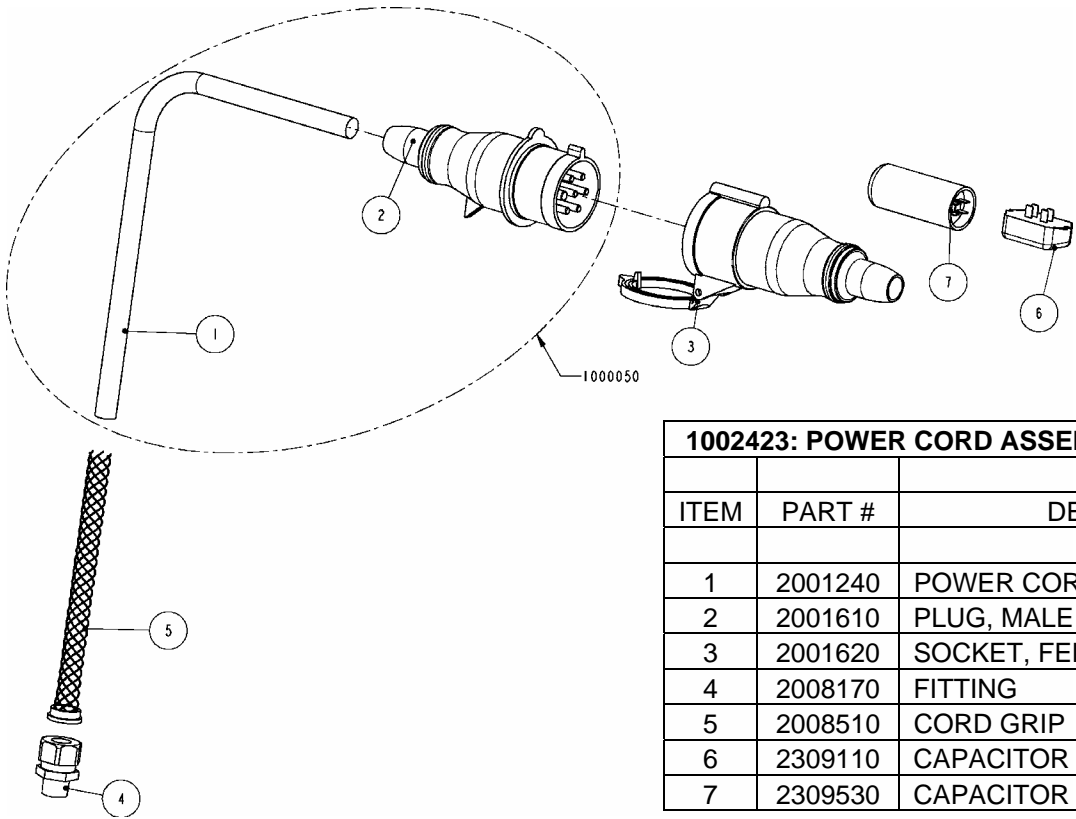
1002422: POWER CORD ASSEMBLY, NON 42V, 3 PHASE			
ITEM	PART #	DESCRIPTION	QTY
1	2001240	POWER CORD	1
2	2001610	PLUG, MALE	1
3	2001620	SOCKET, FEMALE	1
4	2008170	FITTING	1
5	2008510	CORD GRIP	1

Figure 6 1002422: POWER SUPPLY, NON 42V, 3 PHASE



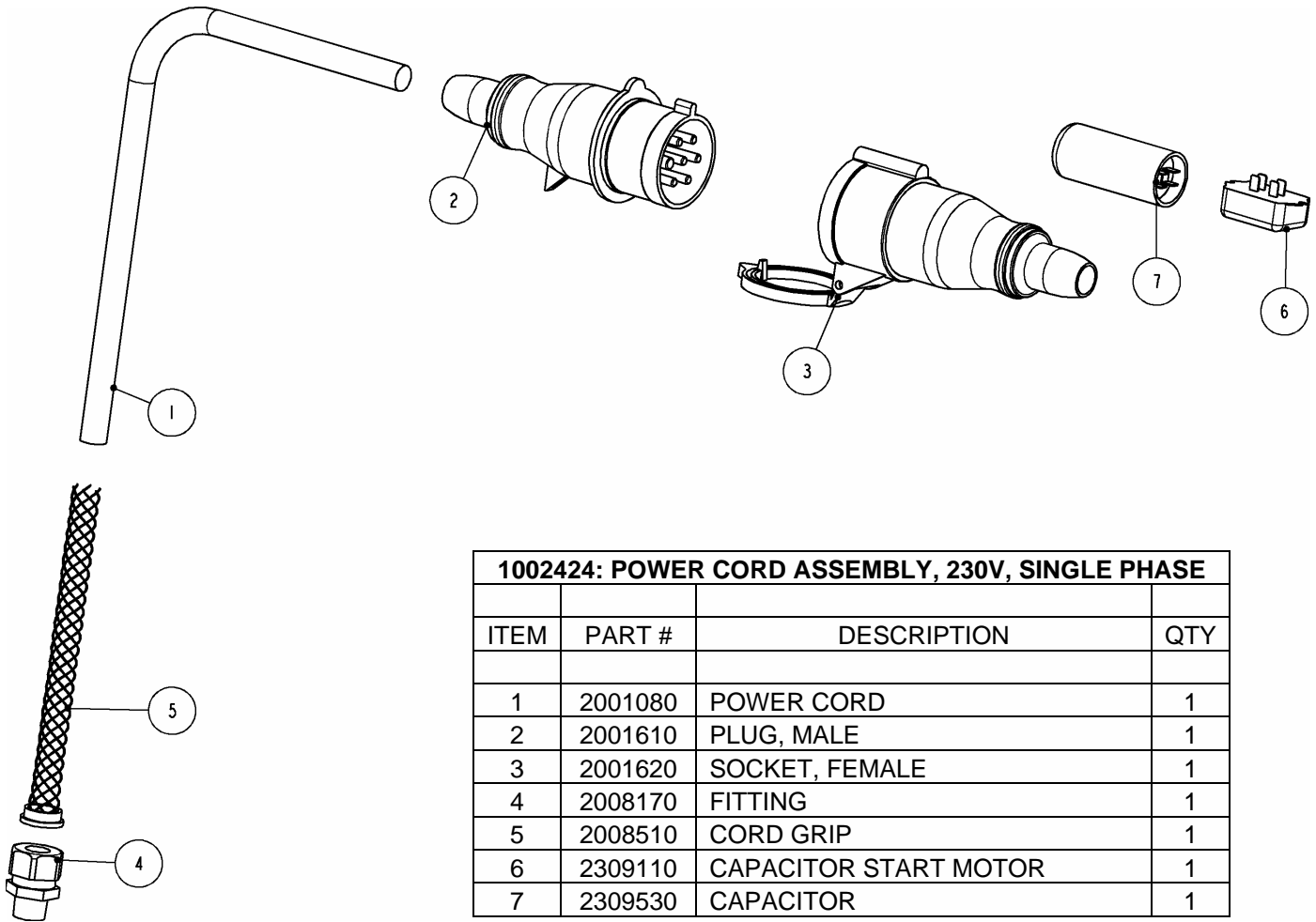
1002430: POWER CORD ASSEMBLY, 42V			
ITEM	PART #	DESCRIPTION	QTY
1	2001270	CABLE CONNECTOR	1
2	2001700	GROMMET	1
3	2007030	POWER CORD	1

Figure 7 1002430: POWER SUPPLY, 42V, 3 PHASE



1002423: POWER CORD ASSEMBLY, 115V, SINGLE PHASE			
ITEM	PART #	DESCRIPTION	QTY
1	2001240	POWER CORD	1
2	2001610	PLUG, MALE	1
3	2001620	SOCKET, FEMALE	1
4	2008170	FITTING	1
5	2008510	CORD GRIP	1
6	2309110	CAPACITOR START MOTOR	1
7	2309530	CAPACITOR	1

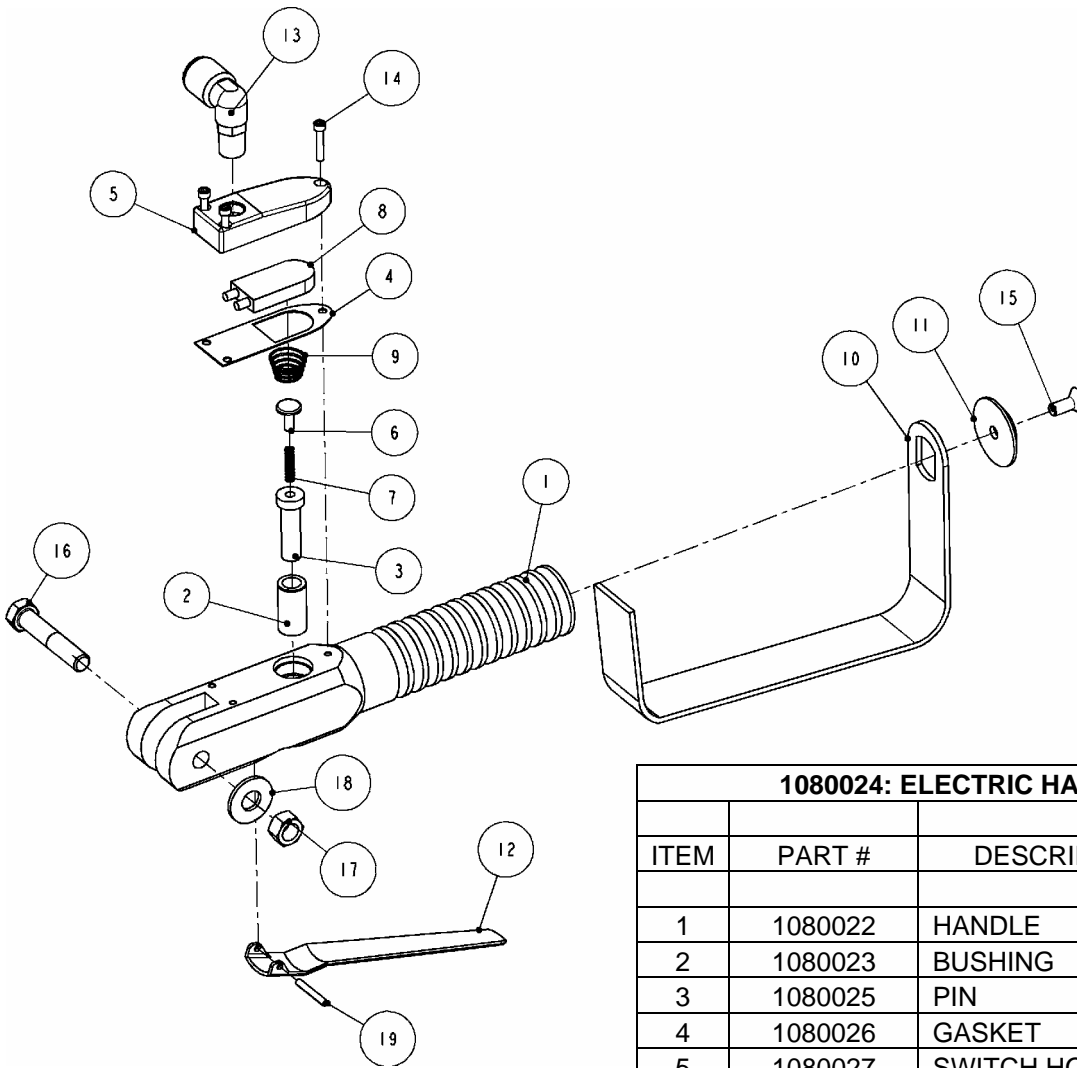
Figure 8 1072423: POWER SUPPLY, 115V, SINGLE PHASE



1002424: POWER CORD ASSEMBLY, 230V, SINGLE PHASE			
ITEM	PART #	DESCRIPTION	QTY
1	2001080	POWER CORD	1
2	2001610	PLUG, MALE	1
3	2001620	SOCKET, FEMALE	1
4	2008170	FITTING	1
5	2008510	CORD GRIP	1
6	2309110	CAPACITOR START MOTOR	1
7	2309530	CAPACITOR	1

Figure 9 1002424: POWER SUPPLY, 230V, SINGLE PHASE

FRONT HANDLE



1080024: ELECTRIC HANDLE			
ITEM	PART #	DESCRIPTION	QTY
1	1080022	HANDLE	1
2	1080023	BUSHING	1
3	1080025	PIN	1
4	1080026	GASKET	1
5	1080027	SWITCH HOLDER	1
6	1080028	PIN	1
7	1302440	SPRING	1
8	2000690	SWITCH	1
9	6541300	SPRING	1
10	6541690	GUARD	1
11	6541720	RETAINER	1
12	6600500	LEVER	1
13	7036560	ELBOW	1
14	8206060	SCREW	3
15	8241050	SCREW	1
16	8415160	SCREW	1
17	8500150	NUT	1
18	8505160	WASHER	1
19	8620080	PIN	1

Figure 10 1080024: ELECTRIC HANDLE

FRAME ASSEMBLY

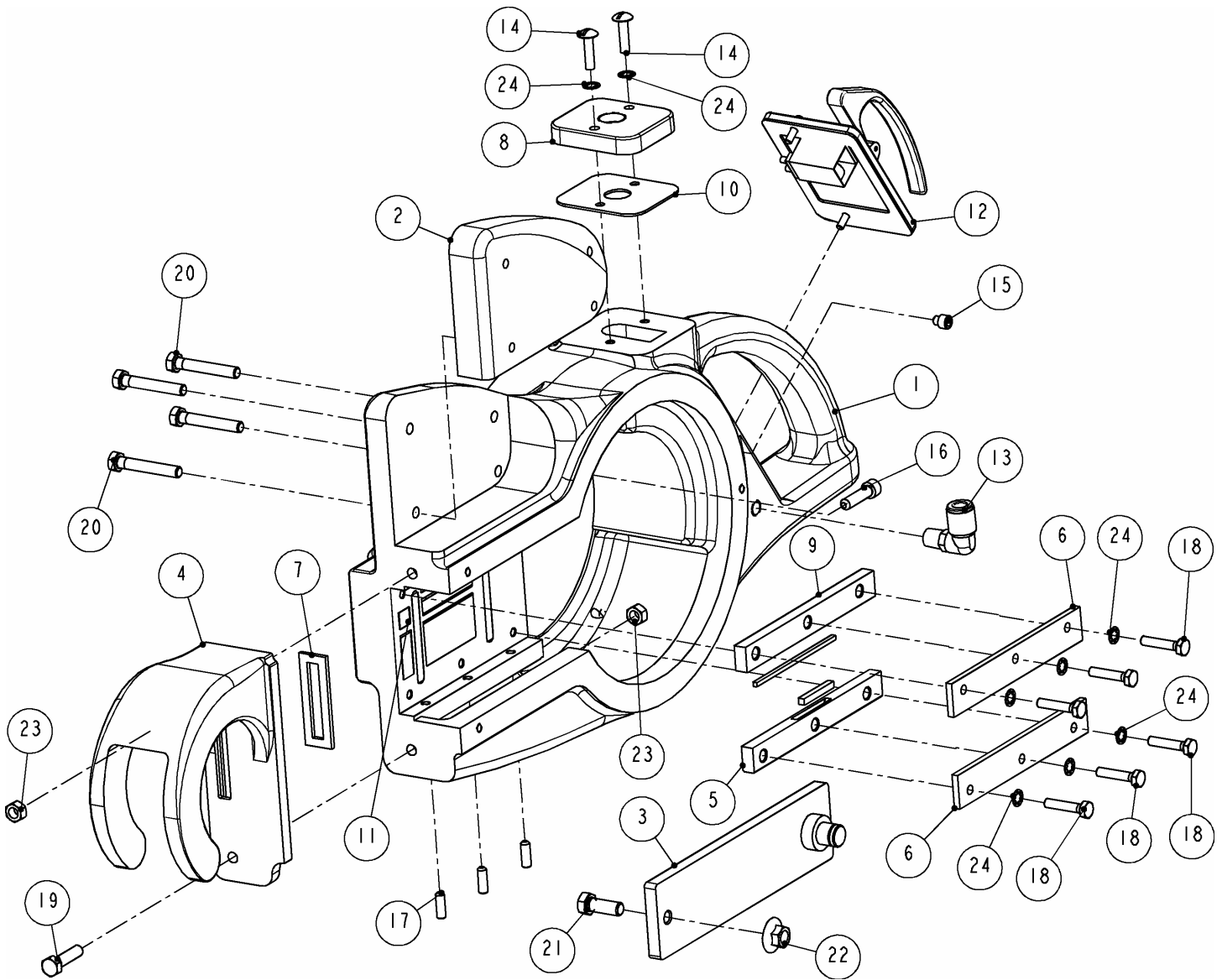
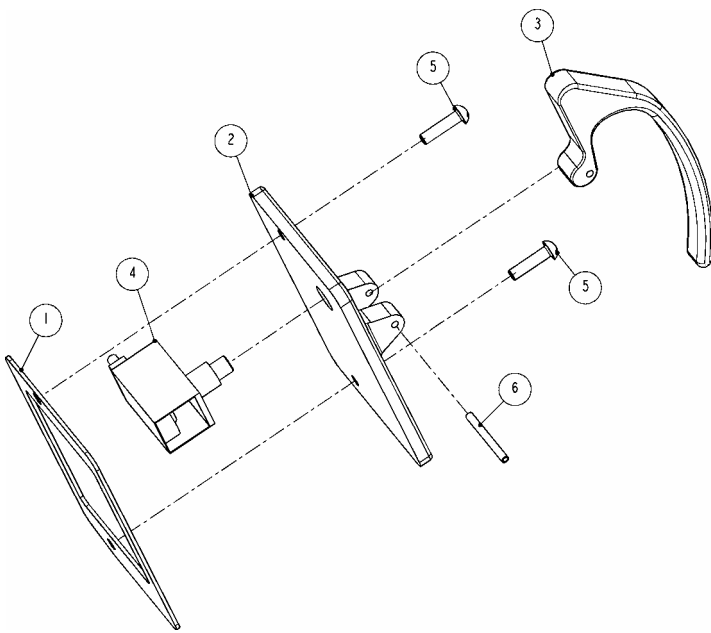


Figure 11 1070011: FRAME ASSEMBLY

1070011: FRAME ASSEMBLY			
ITEM	PART #	DESCRIPTION	QTY
1	1070010	HOUSING	1
2	1070020	HOUSING BLOCK	1
3	1070050	SLIDE	1
4	1070060	BONE GUIDE	1
5	1070250	GIB - LOWER	1
6	1070260	GIB PLATE	2
7	1070590	FELT WIPER, SLIDE	1
8	1070710	WIRE PLATE	1
9	1070720	GIB - UPPER	1
10	1071300	GASKET	1
11	1071320	LUBRICATING FELT, COMPLETE SET	1
12	1071470	ASSEMBLY, SWITCH PLATE	1
13	7036560	ELBOW	1
14	8111080	SCREW	2
15	8211020	SCREW	1
16	8213100	SCREW	1
17	8341060	SET SCREW	3
18	8411100	SCREW	6
19	8413100	SCREW	1
20	8413160	SCREW	4
21	8415080	SCREW	1
22	8500750	NUT	1
23	8501430	NUT	2
24	8507100	WASHER	8

Figure 12 BOM FOR FRAME ASSEMBLY



1071470: ASSEMBLY, SWITCH PLATE			
ITEM	PART #	DESCRIPTION	QTY
1	1071010	GASKET	1
2	1071440	SWITCH, PLATE	1
3	1071450	TRIGGER	1
4	2000700	SWITCH	1
5	8030060	SCREW	2
6	8612200	PIN	1

Figure 13 1202470: HANGER ASSEMBLY

LUBRICATING FELT INSTALLATION

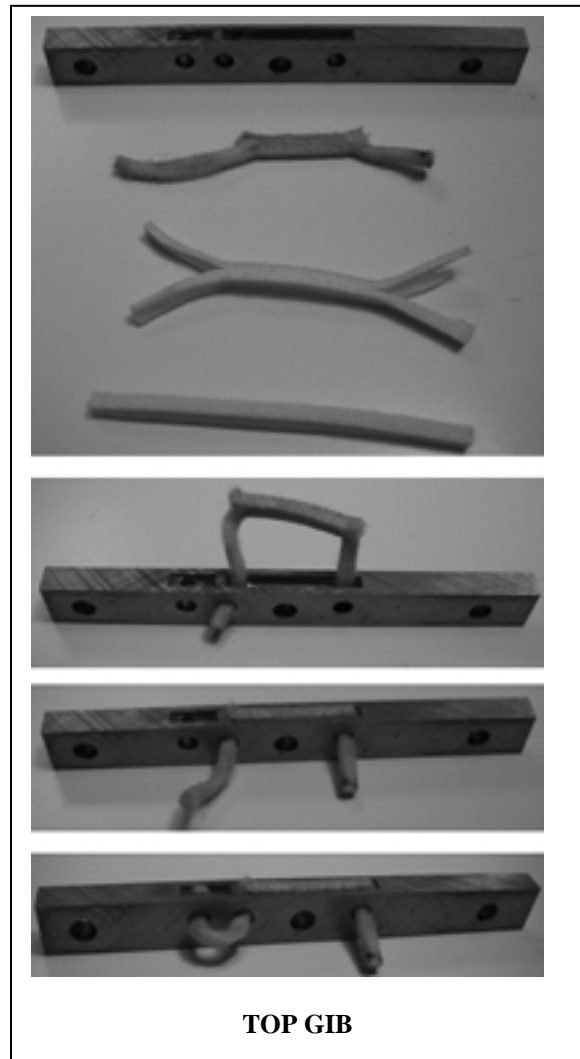
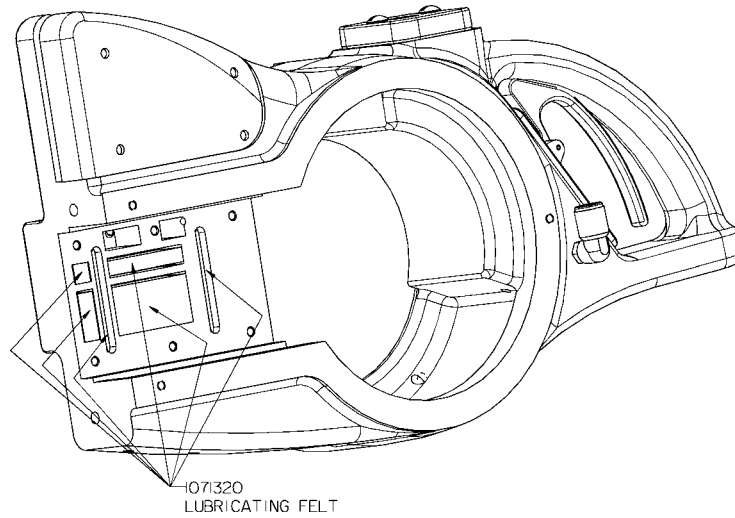
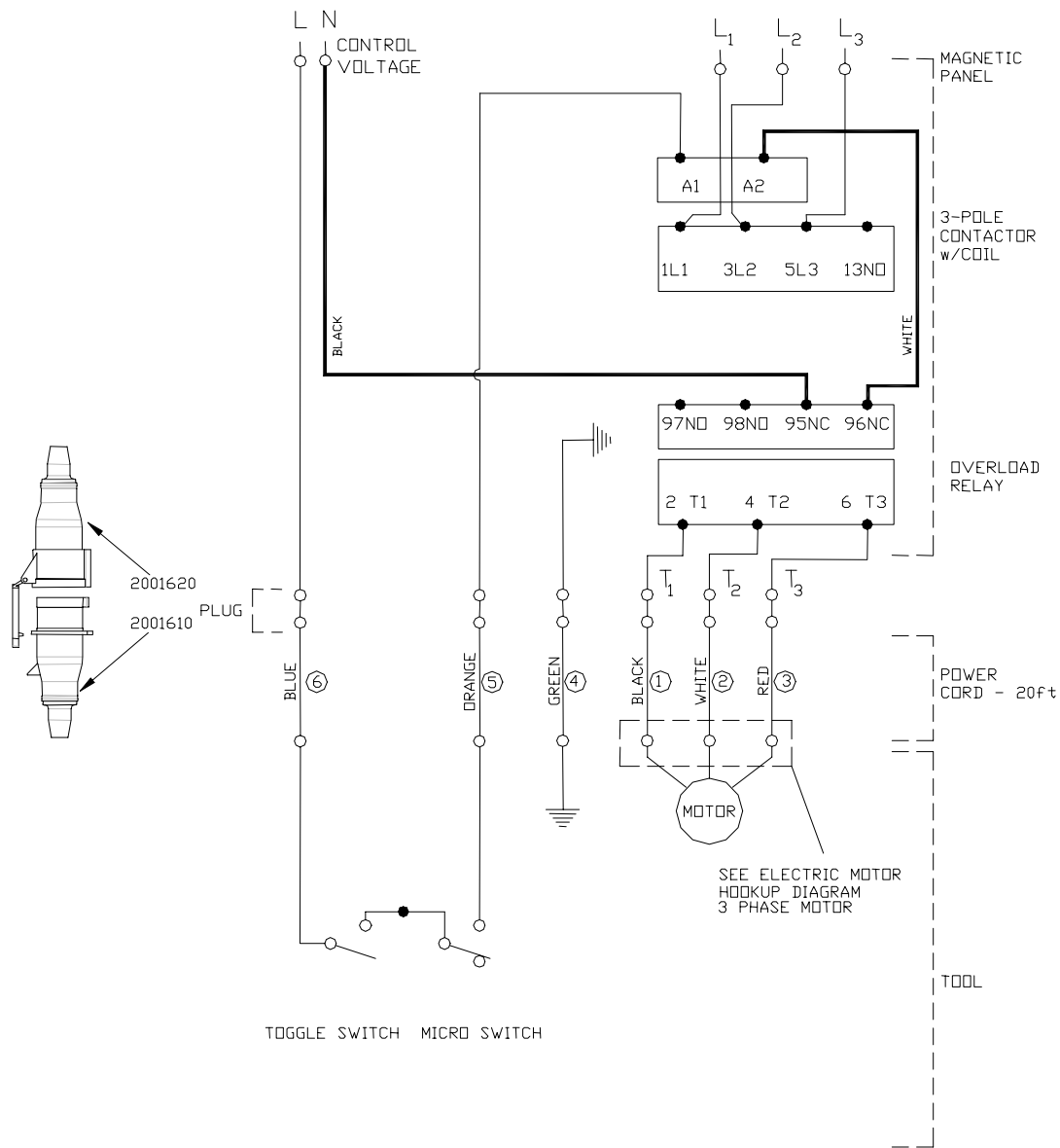


Figure 14 1071320: LUBRICATING FELT SET

WIRING DIAGRAMS

3-PHASE, DIFFERENT CONTROL AND MOTOR VOLTAGE



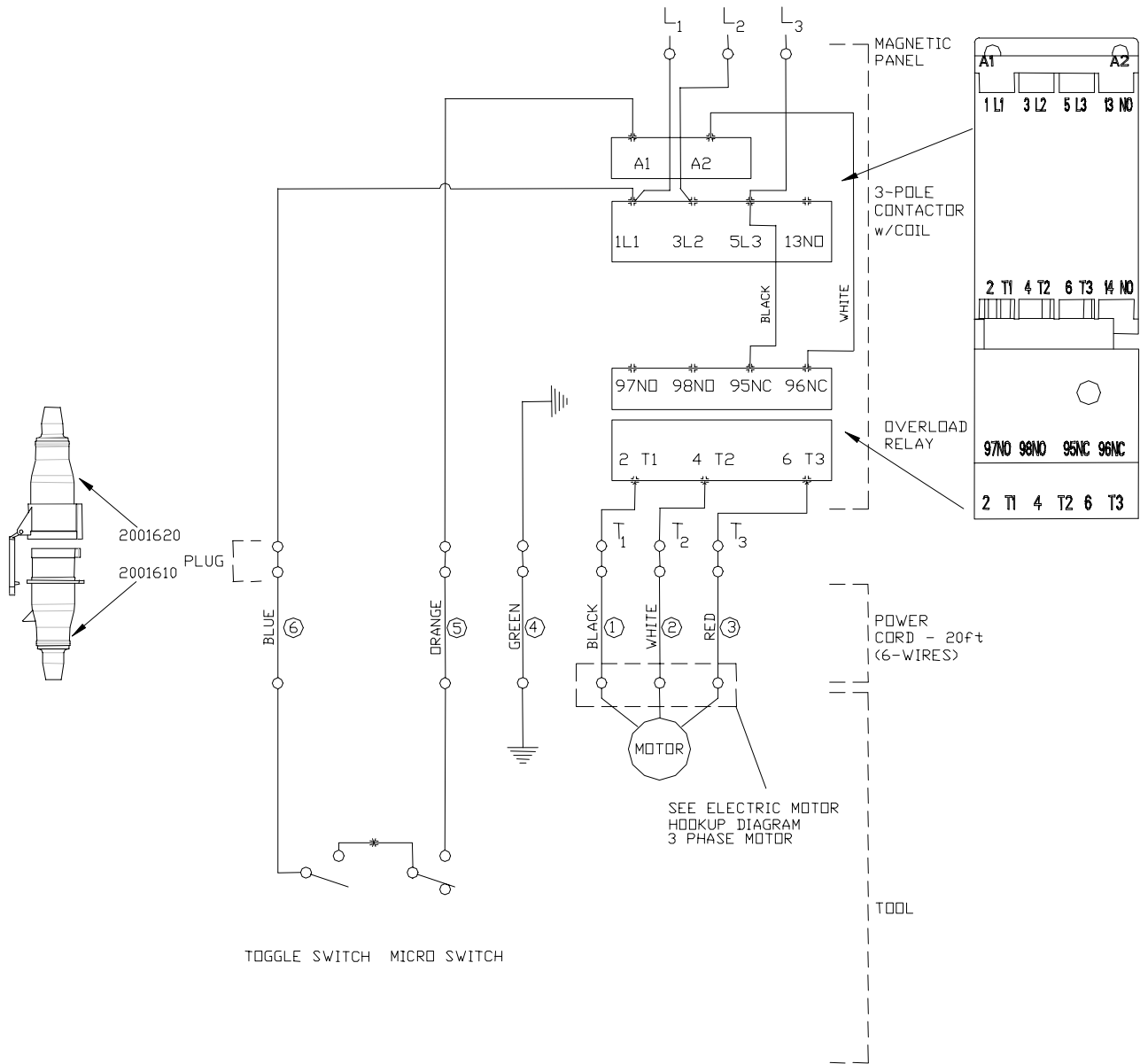
NOTES:

1. DO NOT ATTEMPT OR MAKE REPAIRS ON THE MACHINE WHILE POWER IS ON.
2. ALL ELECTRICAL WORK MUST BE PERFORMED BY A QUALIFIED ELECTRICIAN.
3. THE ELECTRICAL DIAGRAM SHOWS THE MACHINE IN THE "OFF" POSITION.
4. THE GROUND WIRE (GREEN) OF THE POWER CABLE IS CONNECTED TO THE FRAME OF THE MACHINE.

To obtain the correct Kentmaster part number for 3-pole contactor and overload relay, please contact the Kentmaster representative.

Figure 15 WIRING DIAGRAM – different control and motor voltage

3-PHASE, SAME CONTROL AND MOTOR VOLTAGE



NOTES:

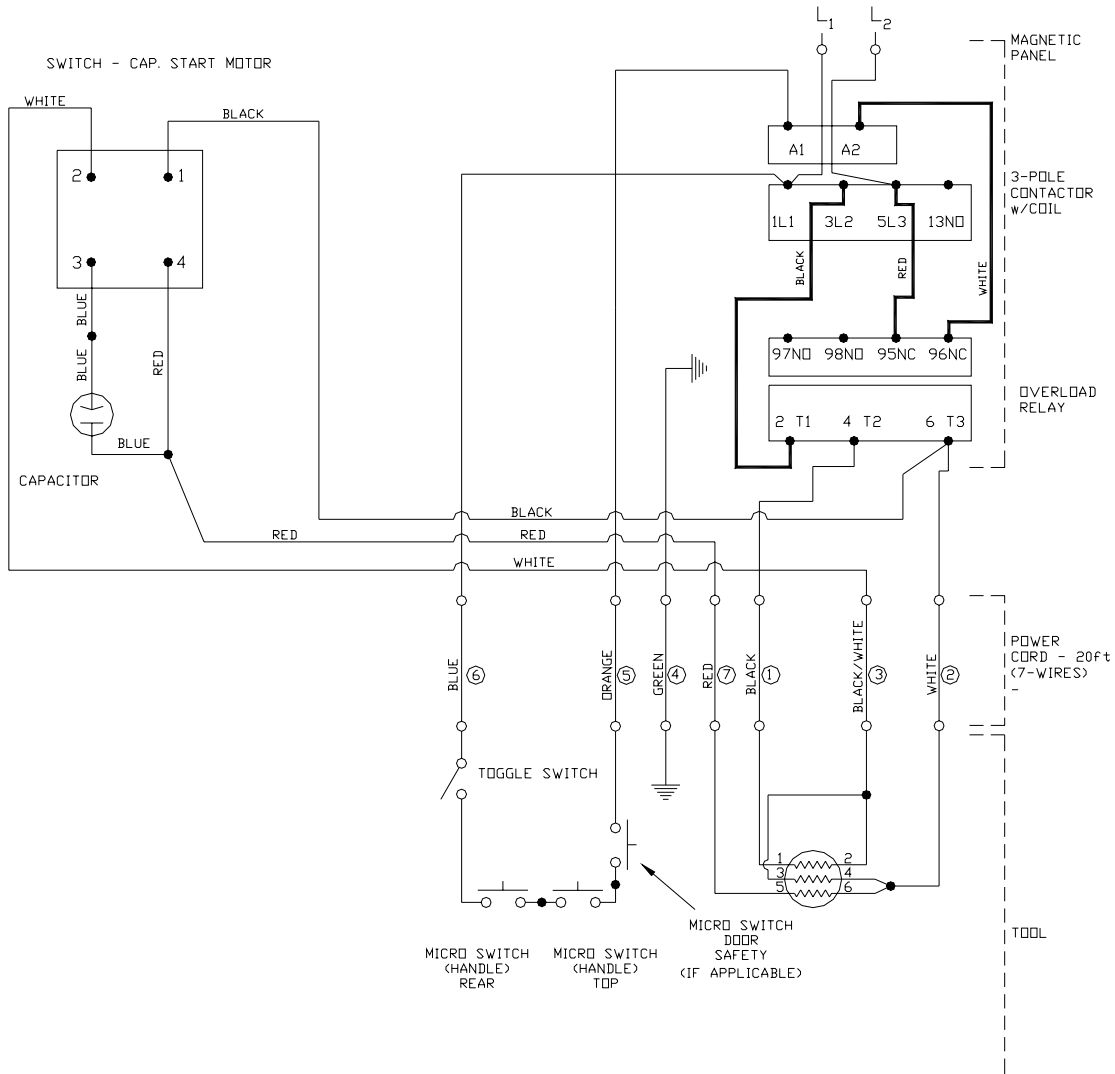
1. DO NOT ATTEMPT OR MAKE REPAIRS ON THE MACHINE WHILE POWER IS ON.
2. ALL ELECTRICAL WORK MUST BE PERFORMED BY A QUALIFIED ELECTRICIAN.
3. THE ELECTRICAL DIAGRAM SHOWS THE MACHINE IN THE "OFF" POSITION.
4. THE GROUND WIRE (GREEN) OF THE POWER CABLE IS CONNECTED TO THE FRAME OF THE MACHINE.

To obtain the correct Kentmaster part number for 3-pole contactor and overload relay, please contact the Kentmaster representative.

Figure 16 WIRING DIAGRAM – same control and motor voltage

SINGLE PHASE, 230 VOLTS

ELECTRICAL DIAGRAM: SINGLE PHASE - 230 VOLTS, ELECTRIC HANDLES



NOTES:

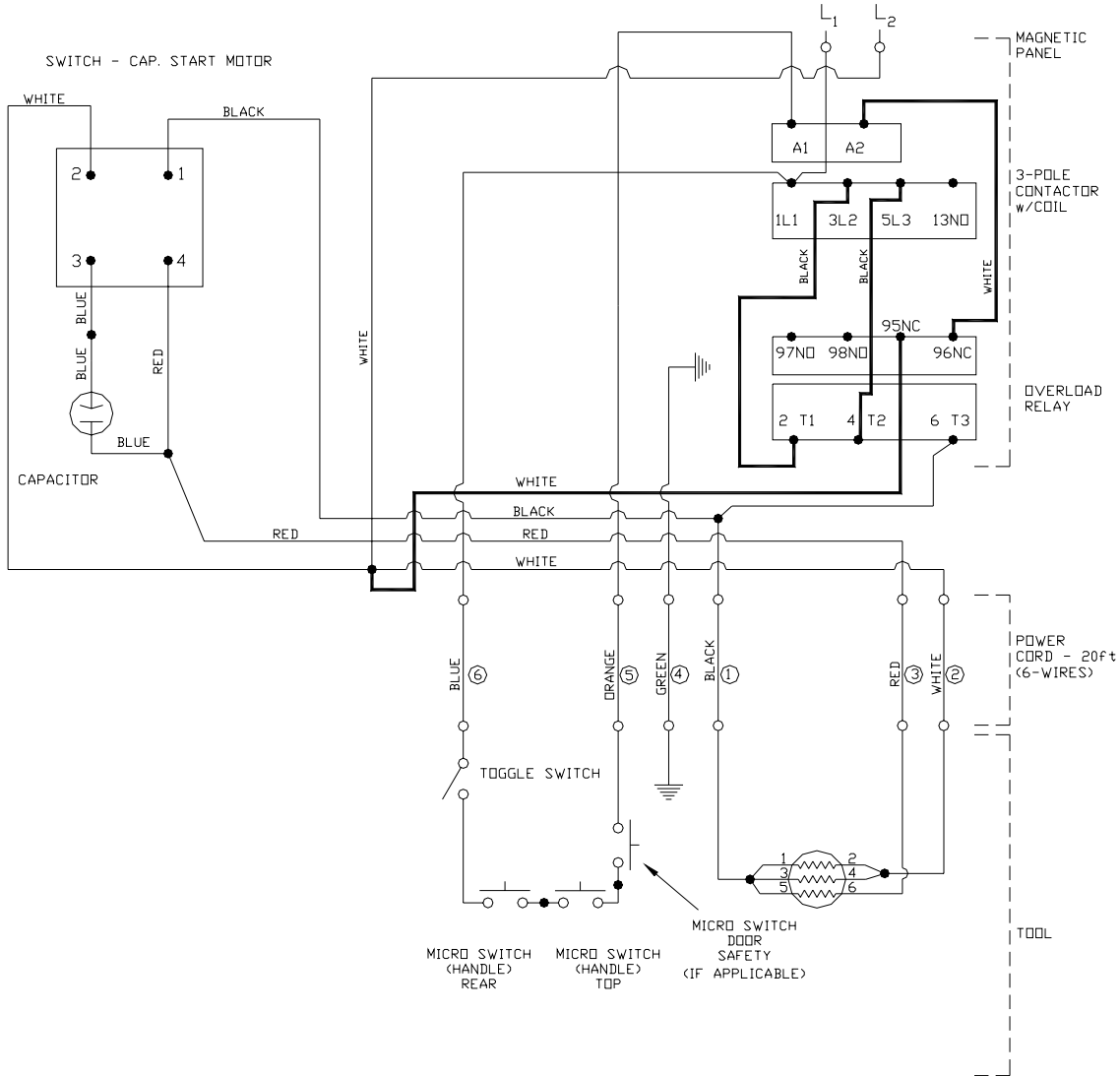
5. DO NOT ATTEMPT OR MAKE REPAIRS ON THE MACHINE WHILE POWER IS ON.
6. ALL ELECTRICAL WORK MUST BE PERFORMED BY A QUALIFIED ELECTRICIAN.
7. THE CAPACITOR AND THE SWITCH - CAP. START MOTOR ARE MOUNTED INSIDE THE MAGNETIC PANEL BOX.
8. THE ELECTRICAL DIAGRAM SHOWS THE MACHINE IN THE "OFF" POSITION.
9. MOTOR #7 LEAD IS UNUSED AND SHOULD BE INSULATED AND TAPED SEPARATELY.
10. THE GROUND WIRE (GREEN) OF THE POWER CABLE IS CONNECTED TO THE FRAME OF THE MACHINE.
11. TO REVERSE DIRECTION, REVERSE MOTOR WIRES #5 AND #6.

To obtain the correct Kentmaster part number for 3-pole contactor and overload relay, please contact the Kentmaster representative.

Figure 17 WIRING DIAGRAM - SINGLE PHASE, 230V

SINGLE PHASE, 115 VOLTS

ELECTRICAL DIAGRAM: SINGLE PHASE - 115 VOLTS, ELECTRIC HANDLES



NOTES:

5. DO NOT ATTEMPT OR MAKE REPAIRS ON THE MACHINE WHILE POWER IS ON.
6. ALL ELECTRICAL WORK MUST BE PERFORMED BY A QUALIFIED ELECTRICIAN.
7. THE CAPACITOR AND THE SWITCH - CAP. START MOTOR ARE MOUNTED INSIDE THE MAGNETIC PANEL BOX.
8. THE ELECTRICAL DIAGRAM SHOWS THE MACHINE IN THE "OFF" POSITION.
9. MOTOR #7 LEAD IS UNUSED AND SHOULD BE INSULATED AND TAPED SEPARATELY.
10. THE GROUND WIRE (GREEN) OF THE POWER CABLE IS CONNECTED TO THE FRAME OF THE MACHINE.
11. TO REVERSE DIRECTION, REVERSE MOTOR WIRES #5 AND #6.

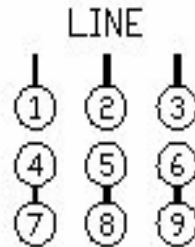
To obtain the correct Kentmaster part number for 3-pole contactor and overload relay, please contact the Kentmaster representative.

Figure 18 WIRING DIAGRAM – SINGLE PHASE, 115V

9 WIRE LEADS, DUAL VOLTAGE STATOR

HIGH VOLTAGE HOOKUP

1,2,3 LINE
 4-7 TIE TOGETHER
 5-8 TIE TOGETHER
 6-9 TIE TOGETHER

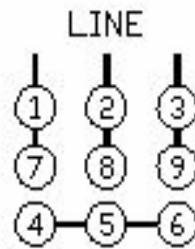


HIGH VOLTAGE

440	460	230	416
220	230	115	208

LOW VOLTAGE HOOKUP

1-7 LINE
 2-8 LINE
 3-9 LINE
 4-5-6 TIE TOGETHER

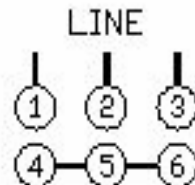


LOW VOLTAGE

6 WIRE LEADS, DUAL VOLTAGE STATOR

HIGH VOLTAGE HOOKUP

1,2,3 LINE
 4-5-6 TIE TOGETHER

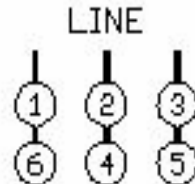


HIGH VOLTAGE

380	416
220	208

LOW VOLTAGE HOOKUP

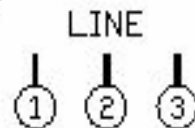
1-6 LINE
 2-4 LINE
 3-5 LINE



LOW VOLTAGE

3 WIRE LEADS, SINGLE VOLTAGE STATOR

1,2,3 LINE

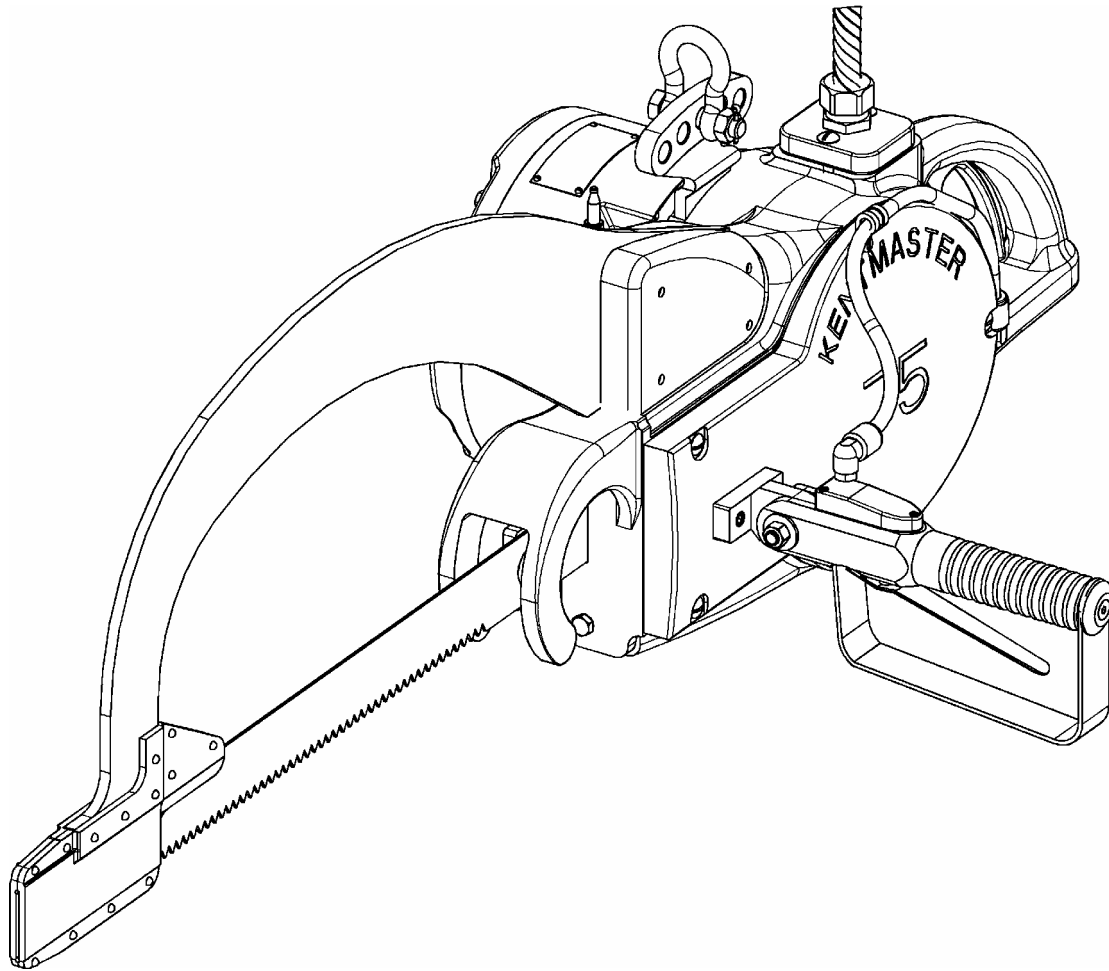


42 VOLTS
 550 VOLTS

Figure 19 ELECTRIC MOTOR LEAD HOOKUP DIAGRAM 3 PHASE MOTOR

[ENGLISH]

GENERAL INFORMATION



MODEL
“75” BEEF SPLITTING SAW (1070000)

SERVICE CENTERS

KENTMASTER LTD. (U.K)
16 AVONBANK INDUSTRIAL CENTRE
WEST TOWN ROAD
AVONMOUTH - BRISTOL BS11 9DE
UNITED KINGDOM

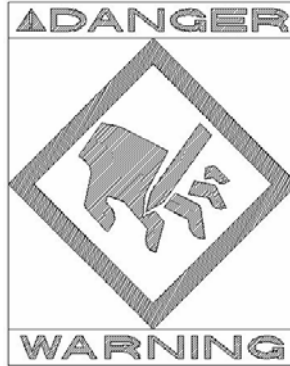
☎ TELEPHONE: ++ 44- (0) 117- 9235035
FAX: ++ 44- (0) 117- 9829010

KENTMASTER MFG. CO., INC.
1801 SOUTH MOUNTAIN AVE.
MONROVIA, CALIFORNIA 91016
UNITED STATES OF AMERICA

☎ TELEPHONE: (626) 359-8888
FAX: (626) 303-5151

NOTICE TO EMPLOYER AND PURCHASER OF TOOL
NOTICE TO SAFETY DIRECTOR

You have purchased a powerful tool that, if misused, can cause severe injury and harm to your employees. You must instruct your employees in the safe and proper use of this tool and to follow the safety procedures and instructions that have been supplied by the manufacturer of this tool. Please follow the following instructions.



1. Instruct tool operators to test the tool each day before using it to be sure it does not malfunction. Remove and repair any tool that malfunctions.
2. Instruct tool operators to immediately stop using a tool that malfunctions or is defective.
3. Instruct personnel to immediately remove all tools that malfunction. Be sure to disconnect tool from power supply.
4. Instruct all personnel to stay clear of tool, and not to stand or walk in front of, or next to tool when in use.
5. Point out to all personnel the dangers related to the misuse of tool and the importance of following safety procedures and instructions.
6. Do not make, or allow others to make, alterations or modifications to this tool. Replace all lost or illegible labels.
7. Follow all safety, installation and maintenance instructions provided with this tool. Establish proper safety procedures in accordance with local and national requirements to prevent accidental energizing of tool that can cause injuries.
8. If this tool is sold or change in ownership takes place, you must provide the new owner all safety instructions, notices and maintenance instructions you were originally provided. You can obtain additional copies of the instructions from Kentmaster, free of charge upon request.
9. Give copies of instructions to: **(A) Tool Operators**
(B) Maintenance Supervisor
(C) Clean-up Supervisor


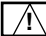

GENERAL INFORMATION



COVERING: SAFETY PRECAUTIONS AND PLACING INTO SERVICE
ELECTRICAL POWERED BEEF SPLITTING SAW

READ THIS MANUAL CAREFULLY BEFORE INSTALLING, OPERATING OR SERVICING THIS TOOL


IT IS THE RESPONSIBILITY OF THE EMPLOYER TO PLACE THIS INFORMATION INTO THE HANDS OF THE OPERATOR.

PLACING INTO SERVICE

-  **WARNING** = Hazards or unsafe practices which could result in severe personal injury, death or substantial property damage.
-  **CAUTION** = Hazards or unsafe practices which could result in minor personal injury, product or property damage.
-  **NOTICE** = Important installation, operation or maintenance information.

-  **WARNING** Installation, adjustment repair and maintenance of this tool must be made by trained and qualified personnel.
-  **WARNING** Always disconnect power supply from tool before:
- (A) Installing or removing blade from tool.
 - (B) Making repairs or adjustments to the tool.
 - (C) performing maintenance or cleanup work.

INSTALLATION INSTRUCTIONS

 **WARNING** **ALL ELECTRICAL WIRING MUST BE DONE BY A LICENSED ELECTRICIAN IN ACCORDANCE WITH THE NATIONAL, STATE AND LOCAL ELECTRICAL CODES. (REFER TO NAMEPLATE ON TOOL FOR PROPER POWER CONFIGURATION).**

1. A BALANCER IS REQUIRED FOR OPERATION AND USE OF THIS TOOL. WEIGHT OF TOOL MUST FALL WITHIN WEIGHT RANGE OF BALANCER. "AIR-BALANCERS" WHICH OPERATE ON COMPRESSED AIR, ARE HIGHLY RECOMMENDED FOR USE WITH "75" SAWS. THEY PROVIDE LONG TRAVEL AND VERY SMOOTH, UNIFORM RISE AND FALL. THEY CAN BE INTERFACED WITH THE OPERATION OF THE SAW.
2. INSTALL BALANCER ABOVE WORK AREA. BALANCER MUST HAVE SUFFICIENT VERTICAL TRAVEL SO OPERATOR CAN REACH ENTIRE WORK AREA WITH TOOL WITHOUT STRAIN.
3. ADJUST BALANCER ACCORDING TO THE OPERATOR'S PREFERENCE AND COMFORT.

 **WARNING** **WE STRONGLY SUGGEST THAT AN ADDITIONAL SAFETY CHAIN BE USED TO CHAIN BALANCER TO OVERHEAD TROLLEY. THIS ADDITIONAL MEASURE OF SAFETY WILL HELP REDUCE INJURIES.**

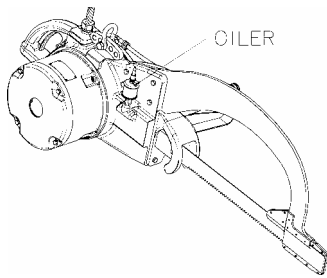
OPERATING INSTRUCTIONS

⚠ WARNING ONLY TRAINED PERSONNEL ARE TO OPERATE THIS TOOL.

WITH THE LEFT HAND FIRMLY ON CONTROL HANDLE, PUSH DOWN ON THE REAR HANDLE WITH YOUR RIGHT HAND AND PLACE SAW IN THE CROTCH OF THE CARCASS. START THE MACHINE AND CUT THROUGH THE TAILBONE. WHILE CUTTING, MOVE YOUR RIGHT HAND FROM THE REAR HANDLE TO THE TOP OF THE MOTOR HANDLE, STANDING DIRECTLY BEHIND THE SAW. AS YOU CONTINUE DOWN THE CARCASS, PUSH THE SAW ALL THE WAY FORWARD AGAINST THE BACK OF THE CARCASS UNTIL YOU HAVE COMPLETED THE CUT. BY USING THE TRIGGER CONTROL HANDLE WITH YOUR LEFT HAND AND MOTOR HANDLE WITH YOUR RIGHT HAND, YOU CAN MAKE ADJUSTMENTS SO AS TO STAY IN THE CENTER OF THE BACK-BONE BY LIFTING ON ONE SIDE AND PUSHING DOWN ON THE OTHER SIDE. AS THE OPERATOR BECOMES EXPERT WITH THE MACHINE, HE MAY FIND INDIVIDUAL WAYS TO HANDLE THE SAW TO SUIT HIMSELF.

MAINTENANCE

⚠ WARNING ONLY TRAINED AND QUALIFIED PERSONNEL ARE TO PERFORM MAINTENANCE AND SERVICE TO THIS TOOL.

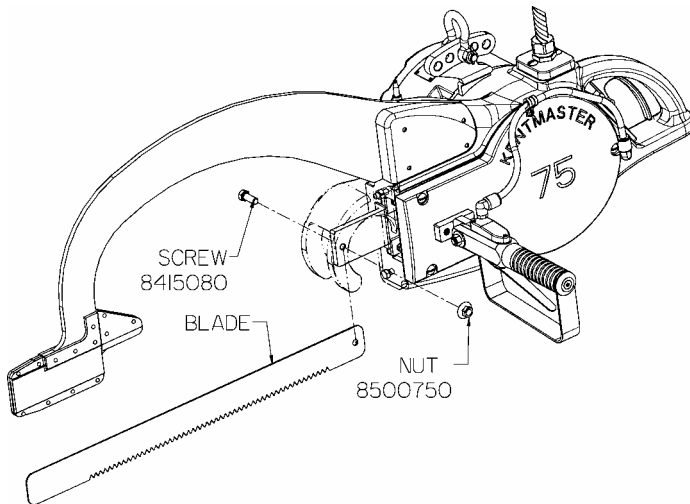


TOOL REQUIRES CONTINUOUS LUBRICATION. VERIFY OILER CUP AT THE END OF EACH SHIFT AND ENSURE THAT THE OILER CONTAINS LIGHT-WEIGHT, FOOD-GRADE OIL, ENOUGH TO COVER BOTTOM OF OILER CUP.

BLADE REMOVAL AND CLEANING.

⚠ WARNING ALWAYS DISCONNECT POWER SUPPLY FROM TOOL BEFORE INSTALLING OR REMOVING BLADE FROM TOOL.

⚠ WARNING ALWAYS WEAR WIRE MESH GLOVES WHEN INSTALLING OR REMOVING BLADES FROM TOOL.



TO INSTALL SAW BLADE, TO REMOVE SAW BLADE FROM THE MACHINE, REMOVE NUT #8500750 AND SCREW #8415080. REMOVE THE BLADE. TO INSTALL THE BLADE FOLLOW ABOVE PROCEDURE IN REVERSE.

DECLARATION OF CONFORMITY

DECLARATION OF CONFORMITY

DECLARATION DE CONFORMITE -DECLARACION DE CONFORMIDAD- ERKLARUNG BEZUGLICH EINHALTUNG DER VORSCHRIFTEN
DICHIARAZIONE DI CONFORMITA . CONFORMITEITSVERKLARING

MANUFACTURED BY:

FABRIQUE PAR:
FABRICADA POR:
HERGESTELLTVON:
FABBRICATO DA:
VERVAARDIGD DOOR:

KENTMASTER MFG CO., INC.
1801 SOUTH MOUNTAIN AVE.
MONROVIA, CALIFORNIA 91016
UNITED STATES OF AMERICA
TELEPHONE (626) 359-8888 FAX (626) 303-5151

TYPE / SERIES: BEEF SPLITTING SAW

TYPE / SERIE:
TIPO / SERIE:
TYP / SERIE:
TIPO / SERIE:
TYPE / SERIE:

MODEL: 75

MODELE:
MODELO:
MODELL:
MODELLO:
MODEL:

SERIAL NO. RANGE: XXXXX

N SERIE: • GAMA DE No. DE SERIE: • SERIEN-NR.-BEREICH: • NUMERI DI SERIE: • SERIENNUMMERS:

This product complies with the following European Community Directives:

Ce produit est conforme aux directives de la Communauté européenne suivantes:
Este producto cumple con las siguientes Directrices de la Comunidad Europea:
Dieses Produkt erfüllt die folgenden Vorschriften der Europäischen Gemeinschaft:
Questo prodotto è conforme alle seguenti direttive CEE:
Dit produkt voldoet aan de volgende EG-richtlijnen:

89/392/EEC, 91/368/EEC, 93/44/EEC, 93/68/EEC

The following Standards were used to verify compliance with the Directives:

Les normes suivantes ont été utilisées pour vérifier la conformité avec les Directives:
Las siguientes Normas se usaron para verificar el cumplimiento de las Directrices:
Folgende Normen wurden angewandt, um Erfüllung der Vorschriften zu bestätigen:
Per verificare la conformità del prodotto alle direttive sono stati usati i seguenti standard:
De volgende normen zijn gebruikt om naleving van de richtlijnen te bevestigen:

EN 292

Approved by: _____

RALPH KARUBIAN MONROVIA, CA. U.S.A

(Engineering Manager) (Directeur technique) (gerente de ingeniería) (verantwortlicher Konstruktionsleiter) (Responsabile tecnico) (ondersteunend technisch manager)

Date: AUG - 1 - 1995

Kentmaster Worldwide Location

Kentmaster Equipment (Aust) PTY.LTD.
Unit 2,24 Central Court
Browns Plains Qld. 4118
Australia

Telephone: (07) 3806-8400
Fax: (07) 3806-7933
Australia@Kentmaster.com

Kentmaster do Brasil, Ltda.
Av. Dr. Joao Teodoro No. 805
Bairro De Vila Rezende
13405-240 Piracicaba, SP,
Brazil

Telephone #1: (019) 3 413 3113
Telephone #2: (019)983-4973
Fax: (019) 3 413 3113
Brazil@Kentmaster.com

Kentmaster (IRL) LTD.
Benamore, Dublin Road.
Roscrea,
CO, Tipperary,
Ireland

Telephone: (353) 0505-23292
Fax: (353) 0505-23299
Ireland@Kentmaster.com

Kentmaster Equipment (NZ) LTD.
5 Cooper Street
Havelock North
New Zealand

Telephone #1: (64) 6 8777 857
Telephone #2: 0800 KENTMASTER
Fax: (64) 6 8777 858
NewZealand@Kentmaster.com

Kentmaster South Africa (PTY) LTD.
Johannesburg - S. Africa
Unit 54 Sunnyrock Park
Sunrock Close, Germiston
South Africa

Telephone: (27) 11-455-3748
Fax: (27) 11-455-3749
SouthAfrica@Kentmaster.com

Kentmaster (UK) LTD.
Unit 16 Avonbank Ind. Centre
West Town Rd, Avonmouth-Bristol,
BS11 9DE
England

Telephone: (44) 117-923-5035
Fax: (44)-117-932-9010
UK@Kentmaster.com

Kentmaster Mfg. Co., Inc.
1801 South Mountain Ave.
Monrovia, CA, 91016
USA

Telephone #1: (626) 359-8888
Telephone #2: (800) 421-1477
Fax: (626) 303-5151
info@Kentmaster.com

Kentmaster Omaha
4417 South 139th Street
Omaha, NE, 68137
USA

Telephone #1: (402) 896-3355
Telephone #2: (800) 367-3181
Fax: (402) 896-3311
Omaha@Kentmaster.com

INDEX

OPERATING AND SAFETY INSTRUCTIONS	2
SERVICE	3
PARTS BOOK	4
“75” MAIN ASSEMBLY	4
MOTOR ASSEMBLY	6
POWER SUPPLY	8
FRONT HANDLE	11
FRAME ASSEMBLY	12
LUBRICATING FELT INSTALLATION	14
WIRING DIAGRAMS	15
3-PHASE, DIFFERENT CONTROL AND MOTOR VOLTAGE	15
3-PHASE, SAME CONTROL AND MOTOR VOLTAGE.....	16
SINGLE PHASE, 230 VOLTS.....	17
GENERAL INFORMATION	22
INSTALLATION INSTRUCTIONS	22
OPERATING INSTRUCTIONS	23
MAINTENANCE	23
DECLARATION OF CONFORMITY	24
Kentmaster Worldwide Location	25
INDEX	26
FIGURES - INDEX	26

FIGURES - INDEX

Figure 1 MODEL “75”	4
Figure 2 BOM FOR MODEL “75”	5
Figure 3 MOTOR ASSEMBLY	6
Figure 4 BOM FOR MOTOR ASSEMBLY	7
Figure 5 1070861: ROTOR –SHAFT ASSEMBLY	8
Figure 6 1002422: POWER SUPPLY, NON 42V, 3 PHASE.....	8
Figure 7 1002430: POWER SUPPLY, 42V, 3 PHASE	9
Figure 8 1072423: POWER SUPPLY, 115V, SINGLE PHASE	9
Figure 9 1002424: POWER SUPPLY, 230V, SINGLE PHASE	10
Figure 10 1080024: ELECTRIC HANDLE	11
Figure 11 1070011: FRAME ASSEMBLY.....	12
Figure 12 BOM FOR FRAME ASSEMBLY	13
Figure 13 1202470: HANGER ASSEMBLY.....	13
Figure 14 1071320: LUBRICATING FELT SET	14
Figure 15 WIRING DIAGRAM – different control and motor voltage.....	15
Figure 16 WIRING DIAGRAM – same control and motor voltage.....	16
Figure 17 WIRING DIAGRAM – SINGLE PHASE, 230V	17
Figure 18 WIRING DIAGRAM – SINGLE PHASE, 115V	18
Figure 19 ELECTRIC MOTOR LEAD HOOKUP DIAGRAM 3 PHASE MOTOR	19